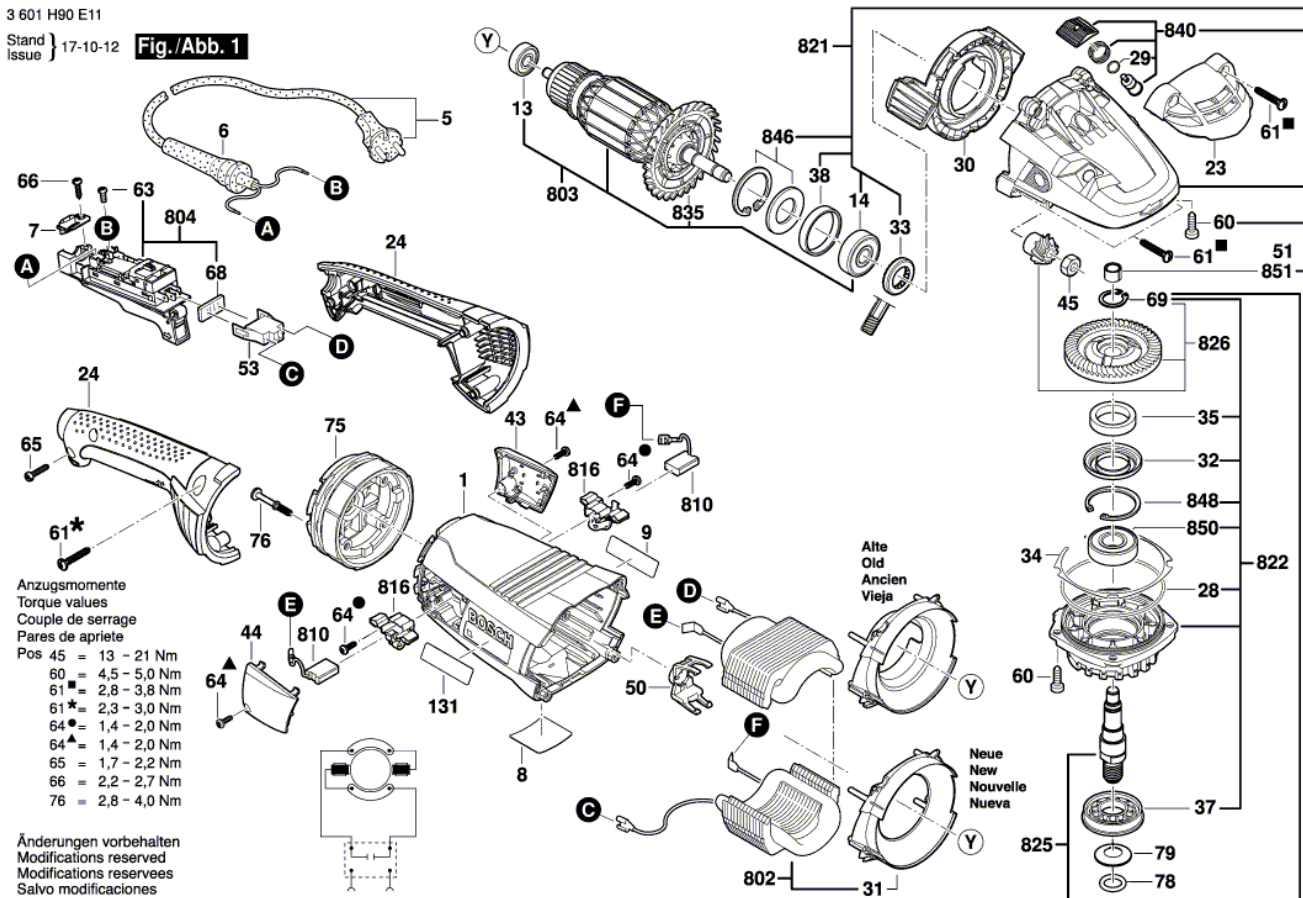




3 601 H90 E11

Stand Issue } 17-10-12

Fig./Abb. 1



- Anzugsmomente
Torque values
Couple de serrage
Pares de apriete
- | | |
|--------|----------------|
| Pos 45 | = 13 - 21 Nm |
| 60 | = 4,5 - 5,0 Nm |
| 61 | = 2,8 - 3,8 Nm |
| 61* | = 2,3 - 3,0 Nm |
| 64 | = 1,4 - 2,0 Nm |
| 64* | = 1,4 - 2,0 Nm |
| 65 | = 1,7 - 2,2 Nm |
| 66 | = 2,2 - 2,7 Nm |
| 76 | = 2,8 - 4,0 Nm |

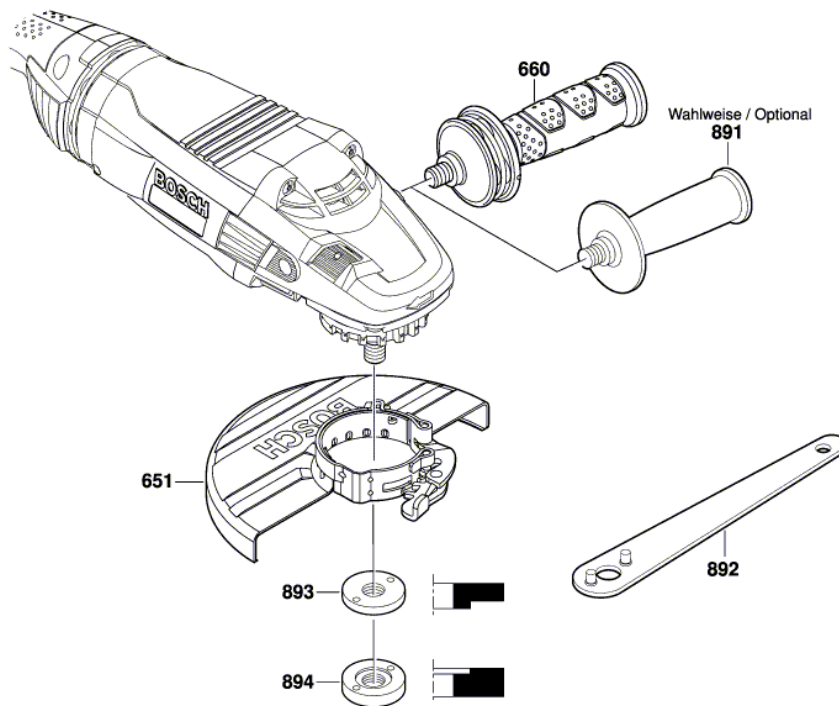
Änderungen vorbehalten
Modifications reserved
Modifications reserves
Salvo modificaciones



3 601 H90 E11

Stand
Issue } 17-10-12

Fig./Abb. 2



Änderungen vorbehalten
 Modifications reserved
 Modificaciones reservadas
 Salvo modificaciones



Pos.	Part Number	Description	Pos.	Part Number	Description
1	1 605 108 264	Motor Housing	846	1 607 000 432	Retaining Washer
5	1 604 460 133	Power supply cord	848	1 600 119 010	Retaining clip
6	1 600 703 036	Grommet	850	1 600 905 026	groove ball bearing
7	1 601 302 018	Fastening Clamp	851	2 600 910 001	Needle-Roller Bearing
8	1 601 11A 6A1	Nameplate	891	1 602 025 022	Auxiliary Handle
9	1 601 118 R97	Manufacturer's nameplate	892	1 607 950 062	Pin-Type Face-Wrench
13	1 600 905 034	groove ball bearing	893	3 603 340 501	Clamping-Flange
14	1 600 905 035	groove ball bearing	894	3 603 340 503	Round Nut
23	1 605 500 266	Cover			
24	1 605 132 155	Handle			
28	1 600 210 033	O-Ring			
29	1 600 210 045	O-Ring			
30	1 600 591 041	Air Distributor			
31	1 600 591 05U	Air-Deflector Ring			
32	1 600 290 019	Retaining snap ring			
33	1 600 290 064	Rotary shaft lip seal			
34	1 600 190 020	Shim			
34	1 600 190 021	Shim			
34	1 600 190 022	Shim			
34	1 600 190 037	Shim			
34	1 600 190 038	Shim			
34	1 600 190 039	Shim			
34	1 600 190 040	Shim			
35	1 600 205 034	Felt Washer			
37	1 600 290 036	Seal Ring			
38	1 600 206 037	Rubber Ring			
43	1 605 500 264	Sealing cap			
44	1 605 500 265	Sealing cap			
45	1 603 300 019	Hex Nut			
50	1 602 388 036	Cable routing			
51	1 600 200 031	Plain bearing			
53	1 605 190 068	Socket Housing			
60	1 603 435 023	Thread-forming tap. Screw			
61	1 603 490 005	Torx Oval-Head Screw			
63	1 603 410 014	Pan head screw			
64	2 603 490 021	Torx Oval-Head Screw			
65	2 603 490 023	Torx Oval-Head Screw			
66	2 910 211 019	Tapping Screw			
68	1 601 006 011	Sealing Plate			
69	2 916 650 905	Spring retaining ring			
75	1 600 290 060	Damper			
76	1 603 414 025	Collar Screw			
78	1 900 210 111	O-Ring			
79	1 600 171 001	Locking Washer			
131	1 601 118 R92	Manufacturer's nameplate			
651	1 605 510 410	Protective Cover			
660	1 602 025 051	Auxiliary Handle			
802	1 607 000 C4P	Assembly			
803	1 604 011 299	Armature			
804	1 607 000 704	On-Off Switch			
810	1 607 014 178	Carbon-Brush Set			
816	1 604 336 053	Brush Holder			
821	1 607 000 C17	Gear Housing			
822	1 607 000 CP1	Bearing Flange			
825	1 607 000 CU6	Grinding Spindle			
826	1 607 000 CN6	Bevel Gear Set			
835	1 606 610 150	Fan			
840	1 607 000 431	Push-Button			